

# Mini & Compact Diaphragm Seals

DIAPHRAGM SEALS



W205 shown

- ▶ All-Welded Design  
No Gaskets or Bolts
- ▶ 1/4 NPT or 1/2 NPT  
Process Connections
- ▶ 316L Stainless Steel  
Construction

Trerice **Mini & Compact Diaphragm Seals** provide an economical way to isolate and protect pressure instruments from corrosion and clogging. Style 205 Diaphragm Seals are designed for use with pressure ranges of 100 psi or greater and can be mounted to pressure gauges of 3 1/2" dial size or smaller. Style 305 Diaphragm Seals are designed for use with pressure ranges of 60 psi or greater and can be mounted to pressure gauges of 4 1/2" dial size or smaller.

Selection of the proper diaphragm seal is the sole responsibility of the user. Temperature and pressure limitations must be considered. Please refer to the Diaphragm Seal Design & Operation Section of this catalog. Improper application may cause failure of the seal, resulting in possible personal injury or property damage.

For correct use and application of all diaphragm seals, please refer to Diaphragm Seal Standard ASME B40.2.

## SPECIFICATIONS

Style	Diaphragm Type	Diaphragm Size	Minimum Pressure Range	Process Connection	Clean-out Design	1/4 NPT Flushing Connection
205	Welded Metal	Mini	0 to 100 psi when mounted to 3 1/2" gauge	Threaded	No	No
305	Welded Metal	Compact	0 to 60 psi when mounted to 4 1/2" gauge	Threaded	No	No

## HOW TO ORDER

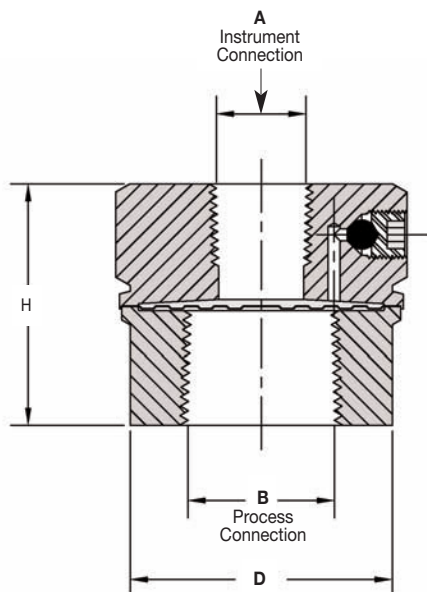
Sample Order Number: **W 2 05 01 S S S**

Diaphragm Type	Diaphragm Size	Style	Connection Size	Diaphragm Material	Process Housing Material	Instrument Housing Material
W Welded	2 Mini 3 Compact	05 Non Clean-out, Welded Body	See Connection Sizes Table	S 316 SS	S 316 SS	S 316 SS

# Mini & Compact Diaphragm Seals

All dimensions are nominal. Dimensions in [ ] are in millimeters.

DIAPHRAGM SEALS



Style	A	B	H	D
205	1/4 NPT	1/4, 1/2 NPT as specified	1.24 [31]	1.35 [34]
305	1/4, 1/2 NPT as specified	1/4, 1/2 NPT as specified	1.75 [44]	2.25 [57]

## Sizes

Connection Sizes		
Code	Instrument Connection (NPT)	Process Connection (NPT)
01	1/4	1/4
02*	1/2	1/4
03	1/4	1/2
04*	1/2	1/2

\* Not available on style 205.