

In-Line Threaded Diaphragm Seals

DIAPHRAGM SEALS



M535 shown

- ▶ Clean-out Design
- ▶ Threaded or Socket-Welded Process Connection

The Trerice **In-Line Threaded Diaphragm Seal** is furnished with a Clean-out design in threaded or socket-welded pipe connections of 1/4" through 1". Since the diaphragm seal is installed "in line" to the system piping, the process media will flow through the seal, eliminating the "dead-end" area found on threaded or flanged seals. Available diaphragm choices include: Teflon (T), Viton (V), Removable Metal (M) and Welded Metal (W).

Selection of the proper diaphragm seal is the sole responsibility of the user. Temperature and pressure limitations must be considered. Please refer to the Diaphragm Seal Design & Operation Section of this catalog. Improper application may cause failure of the seal, resulting in possible personal injury or property damage.

For correct use and application of all diaphragm seals, please refer to Diaphragm Seal Standard ASME B40.2.

SPECIFICATIONS

Style	Available Diaphragm Types*	Diaphragm Size	Process Connection	Clean-out Design	1/4 NPT Flushing Connection
535	M, T, V, W	Standard	Threaded	Yes	No
540	M, T, V, W	Standard	Socket-Welded	Yes	No
635	M, T, W	Large	Threaded	Yes	No
640	M, T, W	Large	Socket-Welded	Yes	No

*M = Removable Metal, T = Teflon, V = Viton, W = Welded Metal

Note: Due to the variety of available diaphragm seal configurations and materials, it is not possible to list each weight in this catalog. Please consult factory.

HOW TO ORDER

Sample Order Number: **T 5 35 06 T T CC**

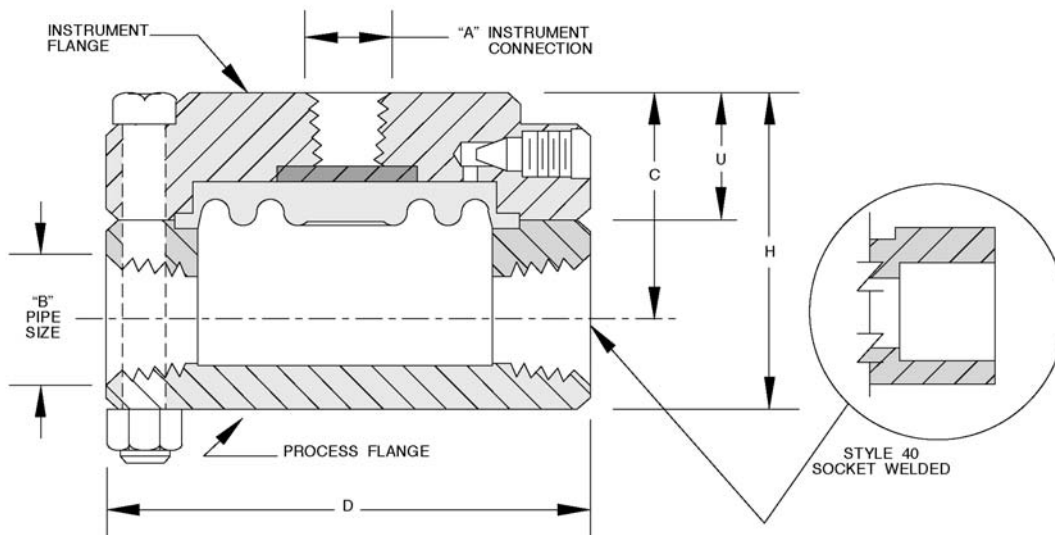
Diaphragm Type	Diaphragm Size	Style	Connection Size	Diaphragm Material	Process Housing Material	Instrument Housing & Bolt Material
M Metal T Teflon V Viton** W Welded	5 Standard 6 Large	35 Threaded 40 Socket-Welded	See Connection Sizes	See Diaphragm Materials	See Process Housing Materials	CC Carbon Steel SS 316 Stainless Steel

**Diaphragm Type V available only with Diaphragm Size 5.

See Sizes and Materials Table

In-Line Threaded Diaphragm Seals

All dimensions are nominal. Dimensions in [] are in millimeters.



DIAPHRAGM SEALS

Diaphragm Type and Size	A	B	H	U	C	D
M, T, W 5 Series	1/4, 1/2 NPT as specified	1/4 NPT	1.63 [41]	0.88 [22]	1.24 [32]	3.25 [83]
		1/2 NPT	2.13 [54]	0.88 [22]	1.50 [38]	3.25 [83]
		3/4 NPT	2.38 [60]	0.88 [22]	1.63 [41]	3.25 [83]
		1 NPT	2.63 [67]	0.88 [22]	1.75 [44]	3.25 [83]
V 5 Series	1/4, 1/2 NPT as specified	1/4 NPT	1.63 [41]	1.00 [25]	1.24 [32]	3.25 [83]
		1/2 NPT	2.13 [54]	1.00 [25]	1.50 [38]	3.25 [83]
		3/4 NPT	2.38 [60]	1.00 [25]	1.63 [41]	3.25 [83]
		1 NPT	2.63 [67]	1.00 [25]	1.75 [44]	3.25 [83]
M, T, W 6 Series	1/4, 1/2 NPT as specified	1/4 NPT	1.63 [41]	0.88 [22]	1.24 [32]	4.00 [102]
		1/2 NPT	2.13 [54]	0.88 [22]	1.50 [38]	4.00 [102]
		3/4 NPT	2.38 [60]	0.88 [22]	1.63 [41]	4.00 [102]
		1 NPT	2.63 [67]	0.88 [22]	1.75 [44]	4.00 [102]

Sizes and Materials

Connection Sizes			Diaphragm Materials		Process Housing Materials	
Code	Instrument Connection (NPT)	Process Connection	Code	Material	Code	Material
01	1/4	1/4" NPT/SW	D	Carpenter 20	C	Steel
02	1/2	1/4" NPT/SW	F	304 Stainless Steel*	D	Carpenter 20
03	1/4	1/2" NPT/SW	G	Hastelloy B	F	304 Stainless Steel
04	1/2	1/2" NPT/SW	H	Hastelloy C-276	G	Hastelloy B
05	1/4	3/4" NPT/SW	M	Monel	H	Hastelloy C-276
06	1/2	3/4" NPT/SW	N	Nickel	M	Monel
07	1/4	1" NPT/SW	S	316 Stainless Steel	N	Nickel
08	1/2	1" NPT/SW	T	Teflon	P	Polypropylene
			U	Tantalum	S	316 Stainless Steel
			V	Viton**	T	Teflon
					Z	PVC

* 304 Stainless Steel diaphragm not available with Diaphragm Size 6.

** Viton Diaphragm available only with Diaphragm Size 5.