

# 700TA Series

## Sanitary Gauge with Integrated Diaphragm Seal

SPECIALTY GAUGES



700TA shown

- ▶ **2 1/2", 4" Dial Sizes**
- ▶ **Stainless Steel Case**
- ▶ **Liquid Fillable**
- ▶ **1 1/2", 2" Tri-clamp Type Connections**

The Trerice **700TA Series** Sanitary Gauge is 3A approved and especially suited for use in the dairy and food processing industries. This field liquid fillable (no kit required) gauge has a stainless steel case, ring, and process housing. All wetted parts are stainless steel.

- Optional features and case style variations available: Please consult the Options & Accessories Section for details.
- Please refer to 3A Standard 37-01, 3A Standard for Liquid Pressure and Level Sensing Devices
- For correct use and application of all pressure gauges, please refer to: Pressure Gauge Standard ASME B40.100

### HOW TO ORDER

Sample Order Number: **700TA 40 15T L A 130**

Model	Dial Size	Connection Size	Connection Location	Units of Measure	Range Code
700TA	25 2 1/2"	15T 1 1/2" Tri-Clamp	L Lower	A psi	See Standard Ranges
700TALF	40 4"	20T 2" Tri-Clamp	B Back	D psi/kPa	

### Specifications

#### Models

**700TA** (dry)  
**700TALF** (liquid filled)

**Dial Sizes** 2 1/2", 4"

#### Wetted Parts

316 stainless steel diaphragm

#### Fill

Glycerine, other fills available. See Options & Accessories.

#### Movement

Stainless steel

#### Connection

2 1/2" Dial Size: Lower or center back Tri-clamp, 1 1/2" or 2"  
 4" Dial Size: Lower or lower back, Tri-clamp, 1 1/2" or 2"

#### Case

304 stainless steel, stem mounted flangeless

#### Ring

Crimped 304 stainless steel, highly polished

#### Window

2 1/2" Dial Size: Styrene-acrylonitrile  
 4" Dial Size: Grilamid

#### Pointer

Plain black finished

#### Dial Face

Aluminum, white background with black graduations and markings

#### Accuracy

See "Standard Ranges"

#### Maximum Temperature

250°F (121°C)

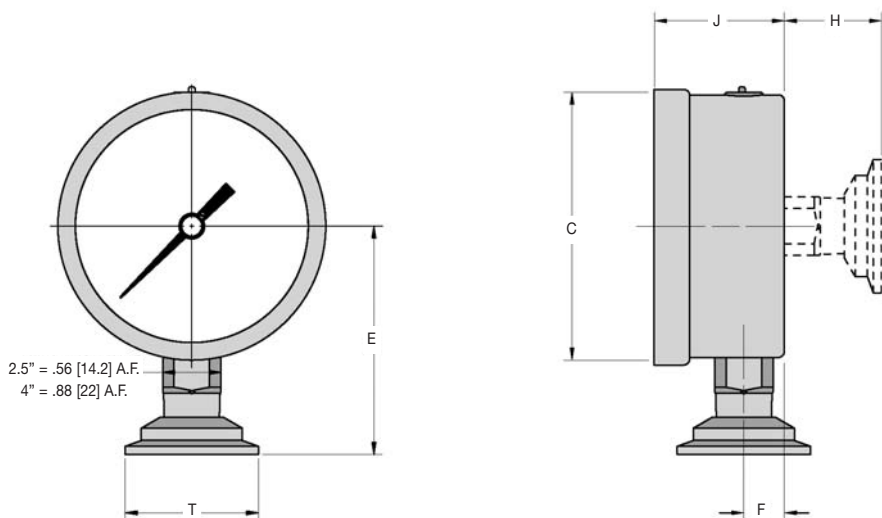
#### Approximate Shipping Weight

- 700TA 2 1/2" Dial Size, 1 1/2" Tri-clamp, 1.4 lbs [0.64 kg]
- 700TA 2 1/2" Dial Size, 2" Tri-clamp, 1.9 lbs [0.86 kg]
- 700TALF 2 1/2" Dial Size, 1 1/2" Tri-clamp, 1.9 lbs [0.86 kg]
- 700TALF 2 1/2" Dial Size, 2" Tri-clamp, 2.6 lbs [1.18 kg]
- 700TA 4" Dial Size, 1 1/2" Tri-clamp, 2.6 lbs [1.18 kg]
- 700TA 4" Dial Size, 2" Tri-clamp, 3.3 lbs [1.50 kg]
- 700TALF 4" Dial Size, 1 1/2" Tri-clamp, 3.3 lbs [1.50 kg]
- 700TALF 4" Dial Size, 2" Tri-clamp, 4.0 lbs [1.81 kg]

# 700TA Series

## Sanitary Gauge with Integrated Diaphragm Seal

All dimensions are nominal. Dimensions in [ ] are in millimeters.



2.5" = .56 [14.2] A.F.  
4" = .88 [22] A.F.

Clamps, gaskets and ferrules are not supplied by Terrice.

SPECIALTY GAUGES

Dial Size	Tri-Clamp Size	C	E	F	H	J	T
2 1/2" [63]	1 1/2"	2.68 [68]	2.64 [67]	0.37 [9.5]	1.52 [38.5]	1.20 [30.5]	1.98 [50.5]
	2"	2.68 [68]	2.64 [67]	0.37 [9.5]	1.52 [38.5]	1.20 [30.5]	2.51 [64.0]
4" [100]	1 1/2"	4.18 [106.2]	3.35 [85]	0.46 [11.8]	1.52 [38.5]	1.32 [33.5]	1.98 [50.5]
	2"	4.18 [106.2]	3.35 [85]	0.46 [11.8]	1.52 [38.5]	1.32 [33.5]	2.51 [64.0]

### Standard Ranges

psi Ranges (A) Accuracy		2 1/2" Gauge		4" Gauge	
Range Code	Specific Range	1 1/2" Tri-Clamp	2" Tri-Clamp	1 1/2" Tri-Clamp	2" Tri-Clamp
040	30" Hg to 60 psi	N/A	±1.6%	N/A	±1%
050	30" Hg to 100 psi	±1.6%	±1.6%	N/A	±1%
060	30" Hg to 150 psi	±1.6%	±1.6%	±1%	±1%
070	30" Hg to 300 psi	±1.6%	±1.6%	±1%	±1%
080	0 to 15 psi	N/A	±1.6%	N/A	N/A
090	0 to 30 psi	N/A	±1.6%	N/A	±1.6%
100	0 to 60 psi	±1.6%	±1.6%	±1.6%	±1%
110	0 to 100 psi	±1.6%	±1.6%	±1%	±1%
120	0 to 160 psi	±1.6%	±1.6%	±1%	±1%
130	0 to 200 psi	±1.6%	±1.6%	±1%	±1%
140	0 to 300 psi	±1.6%	±1.6%	±1%	±1%
150	0 to 400 psi	±1.6%	±1.6%	±1%	±1%
160	0 to 600 psi	±1.6%	±1.6%	±1%	±1%
180	0 to 1000 psi	±1.6%	±1.6%	±1%	±1%

For dual scale ranges, specify the appropriate Units of Measure: D (psi/kPa) followed by the corresponding A (psi) Range Code. The above accuracies are stated as a percentage of full scale. For interval marking details please see the D80 Series Pressure Gauge range table.