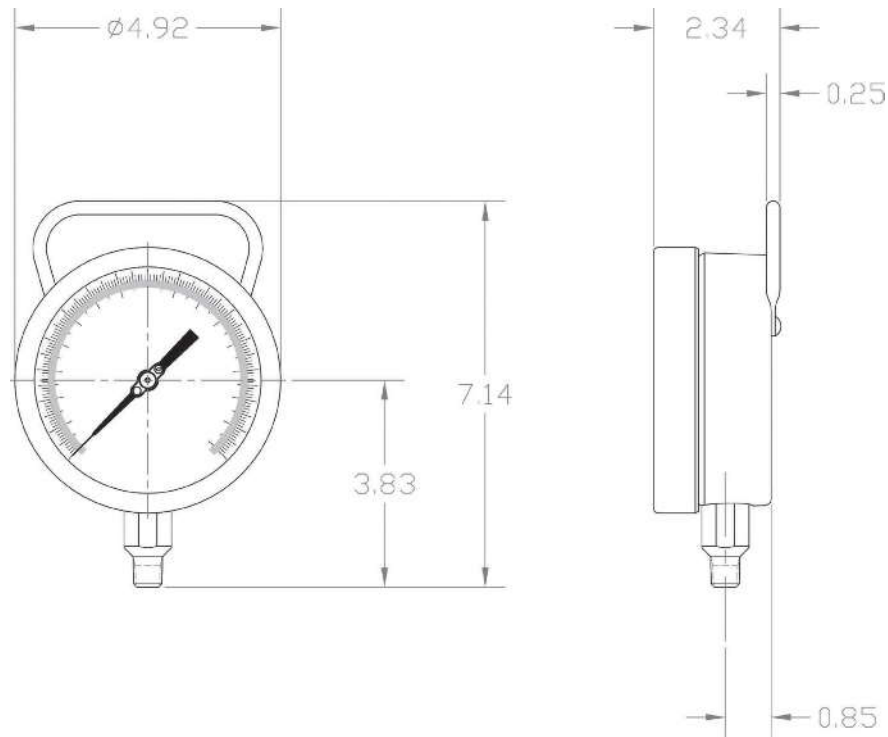


575SS

Field Test Gauge

INDUSTRIAL GAUGES



Standard Ranges

psi Ranges (A)			
Range Code	Specific Range (psi)	Figure Intervals	Minor Divisions
010	30" Hg to 0 psi	5	0.2
020	30" Hg to 15 psi	5/5	0.5/0.2
030	30" Hg to 30 psi	10/5	1/0.5
040	30" Hg to 60 psi	10/10	1/1
050	30" Hg to 100 psi	30/10	2/1
060	30" Hg to 150 psi	30/20	5/2
070	30" Hg to 300 psi	30/50	5/2
080	0 to 15 psi	3	0.1
090	0 to 30 psi	5	0.2
100	0 to 60 psi	10	0.5
110	0 to 100 psi	10	1
120	0 to 160 psi	10	1
130	0 to 200 psi	20	2
140	0 to 300 psi	50	2
150	0 to 400 psi	50	5
160	0 to 600 psi	50	5
180	0 to 1000 psi	100	10
190	0 to 1500 psi	300	10
200	0 to 2000 psi	200	20
210	0 to 3000 psi	300	20
220	0 to 5000 psi	500	50

