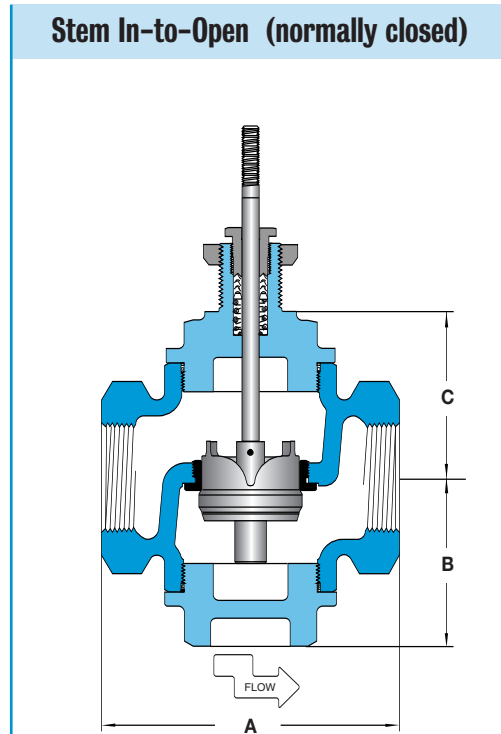
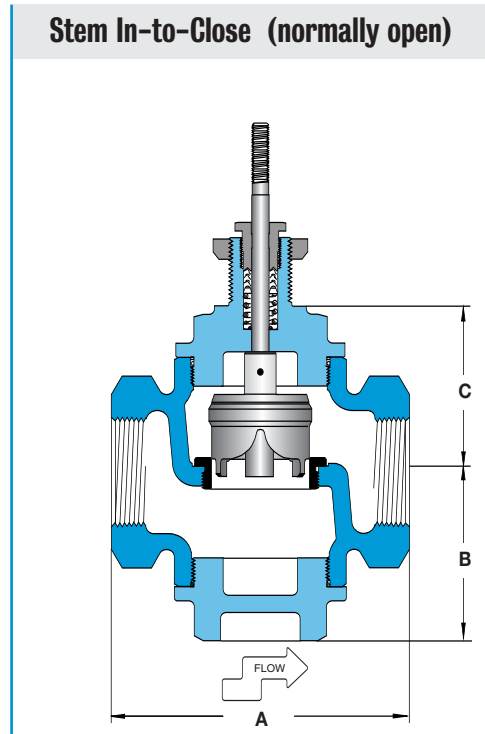


STAINLESS STEEL

Valve Body Selection (for 940 Series Heavy Duty Control Valve)

Single Seat • 1/2" – 2"

All dimensions are nominal. Dimensions in [] are in millimeters.



CONTROL VALVES

Specifications

Body Material	Trim Material	Trim Style	Connection	Pressure & Temperature Rating
Stainless steel	Stainless steel	Equal percentage	Threaded	515 PSI @ 400°F (204°C)

Valve Body Selection

In-To-Close (Normally Open)				Maximum Close-Off Pressure (psid)		Dimensions			Approximate Shipping Wt.
Valve Body Number	Size		C _v	Actuator		A	B	C	
	Connection (NPT)	Nominal Port		940B	940B w/Positioner				
M14	1/2	1/2"	4.9	450	720	5.0 [127]	2.9 [74]	2.9 [74]	10 lbs [4.5 kg]
M19	3/4	3/4"	7.2	450	720	5.0 [127]	2.9 [74]	2.9 [74]	10 lbs [4.5 kg]
M26	1	1"	10.0	255	707	5.0 [127]	2.9 [74]	2.9 [74]	10 lbs [4.5 kg]
M47	1 1/2	1 1/2"	24	100	304	6.1 [155]	3.5 [89]	3.5 [89]	16 lbs [7.3 kg]
M58	2	2"	40	54	181	6.5 [165]	3.9 [99]	3.8 [97]	25 lbs [11.3 kg]

In-To-Open (Normally Closed)				Maximum Close-Off Pressure (psid)		Dimensions			Approximate Shipping Wt.
Valve Body Number	Size		C _v	Actuator		A	B	C	
	Connection (NPT)	Nominal Port		940B	940B w/Positioner				
M15	1/2	1/2"	4.9	200	720	5.0 [127]	2.9 [74]	2.9 [74]	10 lbs [4.5 kg]
M22	3/4	3/4"	7.2	200	720	5.0 [127]	2.9 [74]	2.9 [74]	10 lbs [4.5 kg]
M30	1	1"	10	105	557	5.0 [127]	2.9 [74]	2.9 [74]	10 lbs [4.5 kg]
M52	1 1/2	1 1/2"	24	32	236	6.1 [155]	3.5 [89]	3.5 [89]	16 lbs [7.3 kg]
M63	2	2"	40	12	138	6.5 [165]	3.9 [99]	3.8 [97]	25 lbs [11.3 kg]

Distributed By: M&M Control Service, Inc.

www.mmcontrol.com/Trelice.php

800-876-0036 847-356-0566