

Valve Body Selection

(for 940 Series Heavy Duty Control Valve)

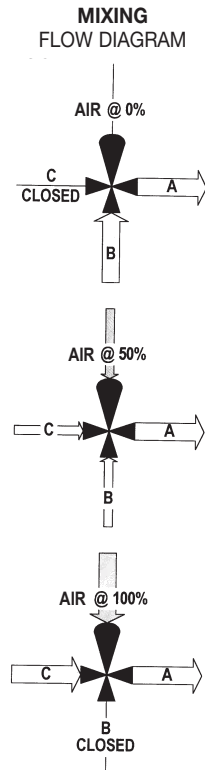
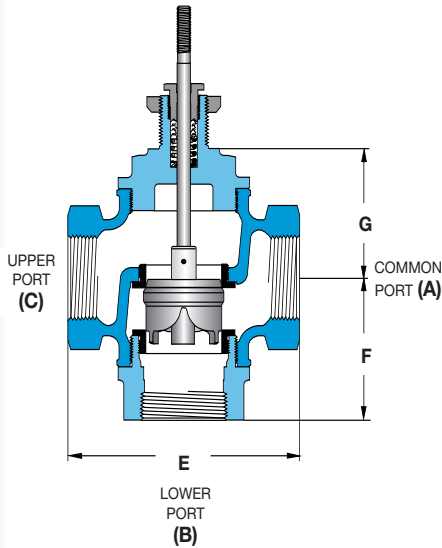
BRONZE

3-WAY • 1/2" - 2"

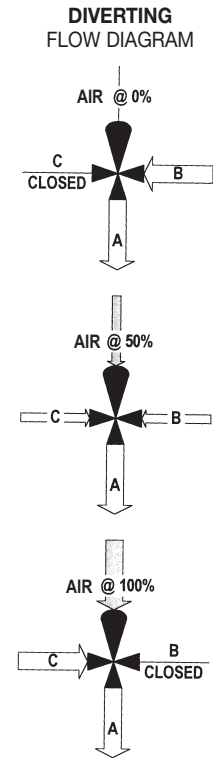
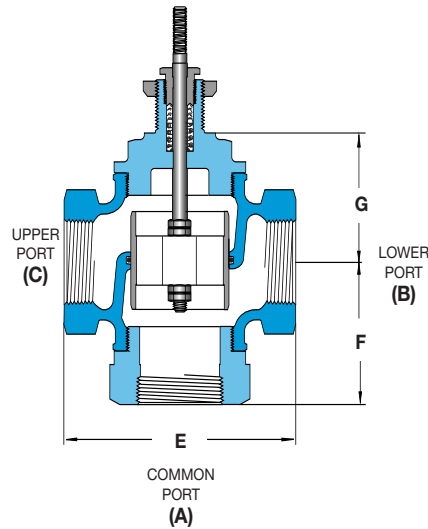
All dimensions are nominal. Dimensions in [] are in millimeters.

CONTROL VALVES

Mixing



Diverting



Trerice 3-Way Valves are not designed for use in steam applications. To properly control the mixing of two flows, inlet pressures at ports B and C should be as equal as possible.

Specifications

Action	Body Material	Trim Material	Trim Style	Connection	Pressure & Temperature Rating
Mixing	Bronze	Stainless steel	Linear	Threaded	250 PSI @ 400°F (204°C)
Diverting	Bronze	Bronze	Linear	Threaded	250 PSI @ 300°F (149°C)

Valve Selection

Mixing				Maximum Close-Off Pressure (psid)			Dimensions			Approximate Shipping Wt.
Valve Body Number	Size		C _v	Actuator		E	F	G		
	Connection (NPT)	Nominal Port		940B	940B w/Positioner					
N18	1/2	1/2"	6.3	140	291	4.9 [124]	2.8 [71]	2.9 [74]	9.0 lbs [4.10 kg]	
N25	3/4	3/4"	8.2	140	291	4.9 [124]	2.8 [71]	2.9 [74]	9.0 lbs [4.10 kg]	
N34	1	1"	10	140	291	4.9 [124]	2.8 [71]	2.9 [74]	9.0 lbs [4.10 kg]	
N56	1 1/2	1 1/2"	20	55	123	5.8 [147]	3.8 [97]	3.5 [89]	15.5 lbs [7.05 kg]	
N67	2	2"	40	30	73	6.5 [165]	4.0 [102]	3.8 [97]	20.0 lbs [9.10 kg]	

Diverting				Maximum Close-Off Pressure (psid)			Dimensions			Approximate Shipping Wt.
Valve Body Number	Size		C _v	Actuator		E	F	G		
	Connection (NPT)	Nominal Port		940B	940B w/Positioner					
J34	1	1"	12	125	125	4.9 [124]	3.5 [89]	2.9 [74]	9.0 lbs [4.10 kg]	
J56	1 1/2	1 1/2"	22	125	125	5.8 [147]	3.8 [97]	3.5 [89]	16.5 lbs [7.5 kg]	
J67	2	2"	40	125	125	6.5 [165]	4.0 [102]	3.8 [97]	21.0 lbs [9.55 kg]	