

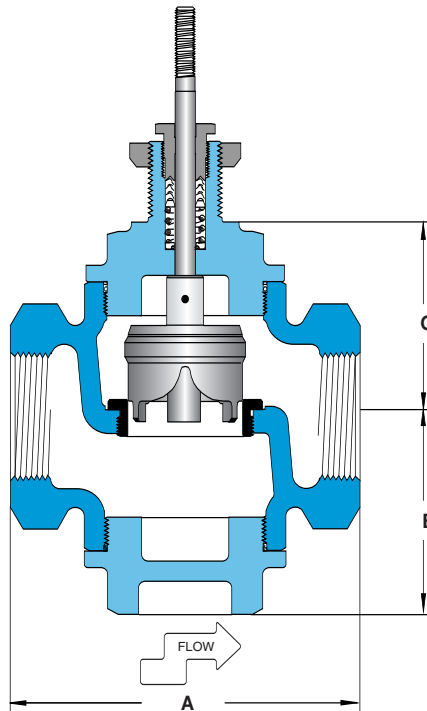
STAINLESS STEEL

All dimensions are nominal. Dimensions in [] are in millimeters.

Valve Body Selection (for 940E Series Electric Motor Control Valve)

Single Seat • 1/2" – 2"

Stem In-To-Close



CONTROL VALVES

Specifications

Body Material	Trim Material	Trim Style	Connection	Pressure & Temperature Rating
Stainless steel	Stainless steel	Equal percentage	Threaded	515 PSI @ 400°F (204°C)

Valve Body Selection

In-To-Close				Maximum Close-Off Pressure (psid)		Dimensions			Approximate Shipping Wt.
Valve Body Number	Size		C _v	Linkage		A	B	C	
	Connection (NPT)	Nominal Port		30	52				
M14	1/2	1/2"	4.9	325	x	5.0 [127]	2.9 [74]	2.9 [74]	10 lbs [4.5 kg]
M19	3/4	3/4"	7.2	325	x	5.0 [127]	2.9 [74]	2.9 [74]	10 lbs [4.5 kg]
M26	1	1"	10.0	179	x	5.0 [127]	2.9 [74]	2.9 [74]	10 lbs [4.5 kg]
M47	1 1/2	1 1/2"	24	66	199	6.1 [155]	3.5 [89]	3.5 [89]	16 lbs [7.3 kg]
M58	2	2"	40	33	116	6.5 [165]	3.9 [99]	3.8 [97]	25 lbs [11.3 kg]

Distributed By: M&M Control Service, Inc.

www.mmcontrol.com/Trerice.php

800-876-0036 847-356-0566