

940E Series Electric Motor Control Valve

CONTROL VALVES



940E shown

- ▶ Fail Open or Closed
- ▶ Cast Aluminum or Iron Linkages
- ▶ 1/2" – 8" Valve Sizes

The Trerice **940E Series** Control Valve uses an AC power supply to stroke the valve via an actuator drive, electric motor, and valve linkage unit. The actuator drive causes the motor to drive the valve stem up or down in relation to an input signal (factory set at 4-20 mA, field switchable to 0-10 VDC) from a controller. Electric motors are available to accept a power supply of 24 or 120 VAC and can be specified for failure in an open, closed, or last position upon loss of power. Linkages are available in two sizes (30 and 52), the larger of which uses leverage to provide increased shut-off capabilities on smaller valves and is required for use on larger sized valves.

For optimal performance, the service conditions (medium, flow, temperature, inlet and outlet pressures) of the application must be considered when selecting a valve. Please refer to the Valve Selection Section of this catalog. Consult the Valve Selection tables for the capabilities of a particular valve/actuator assembly. A positioner may be required to maximize the shut-off capability of the valve. Improper application may cause failure of the valve, resulting in possible personal injury or property damage.

Specifications

Model

940E

Linkages

30, 52

Motor Case

Aluminum

Yoke

Linkage 30: Aluminum
Linkage 52: Cast-iron

Power Supply

24 VAC, 60 Hz, 2.5 A or
120 VAC, 60 Hz, 0.5 A

Input Signal

4-20 mA or
0-10 VDC

Fail Position

Stem-Out (open),
Stem-In (closed), or Last Position

No-Load Timing

Fail Stem-In or Stem-Out: 90 seconds
Fail Last Position: 120 seconds

Protection

NEMA 1 (indoor only)

Maximum Temperature

Ambient: 130°F (54°C)
Process Flow: 400°F (204°C)

Humidity

Maximum: 95% RH

Approximate Shipping Weight

Actuator:

Linkage 30: 15 lbs [6.8 kg]
Linkage 52: 30 lbs [13 kg]

Valve Body:

see Valve Selection tables

HOW TO ORDER

Model	Linkage Size	Valve Body Number	Power Supply	Fail Position
940E	30	Refer to pages 252-260	1 120 VAC, 60 Hz, 0.5 A	6 Stem-Out (open)
	52		2 24 VAC, 60 Hz, 2.5 A	7 Stem-In (closed)
				8 Last Position

Sample Order Number: **940E-30-J36-27**

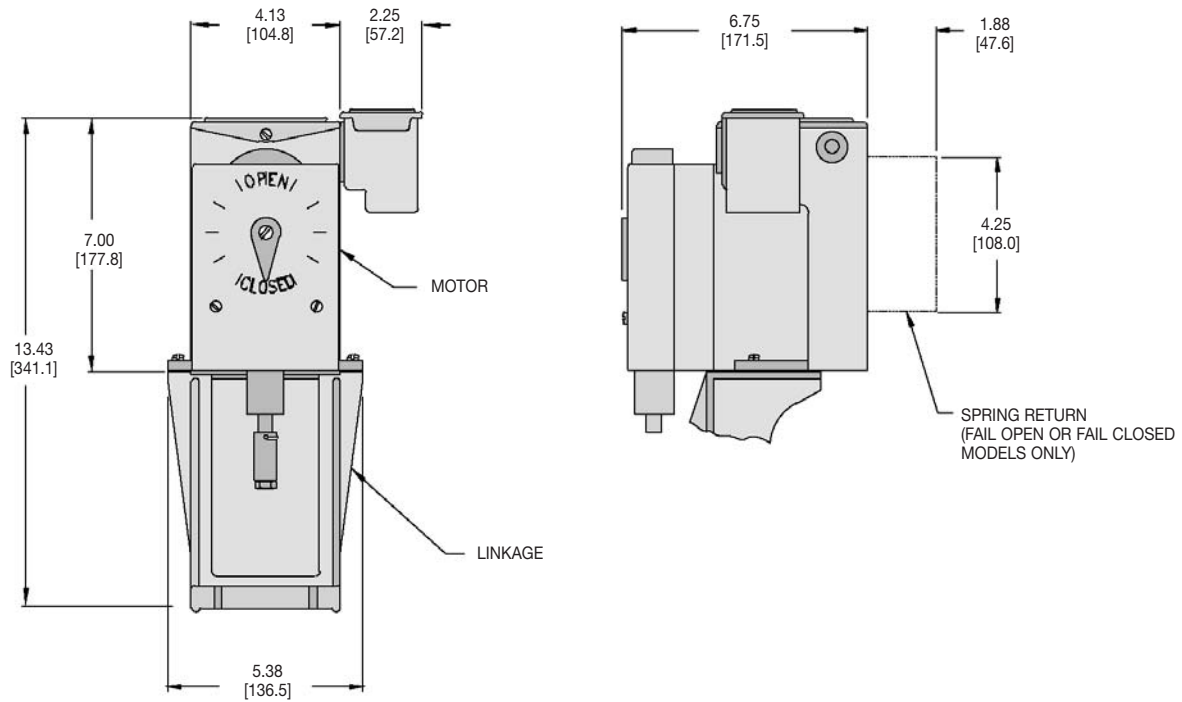
1. **Determine** the valve size, style and material required by the application.
2. **Consult** the Valve Selection table to determine the required Valve Body.
3. **Refer** to the maximum close-off pressure columns to determine the Linkage Size needed to provide the close-off pressure required by your application.
4. **Specify** the Model and Linkage Size.
5. **Specify** the Valve Body Number.
6. **Specify** the Power Supply and Fail Position codes.

940E Series

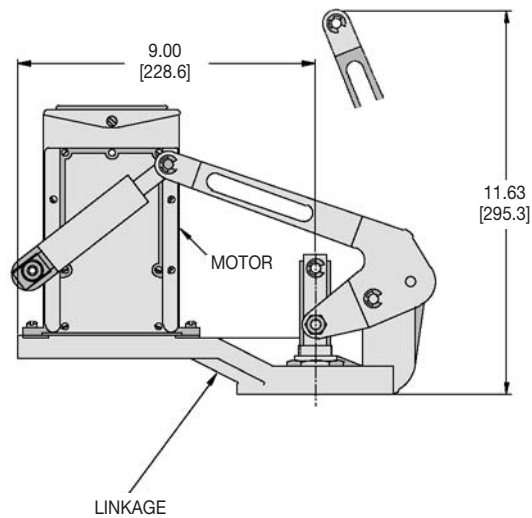
Electric Motor Control Valve

All dimensions are nominal. Dimensions in [] are in millimeters.

Linkage Size 30



Linkage Size 52



CONTROL VALVES