

Valve Body Selection

(for 940E Series Electric Motor Control Valve)

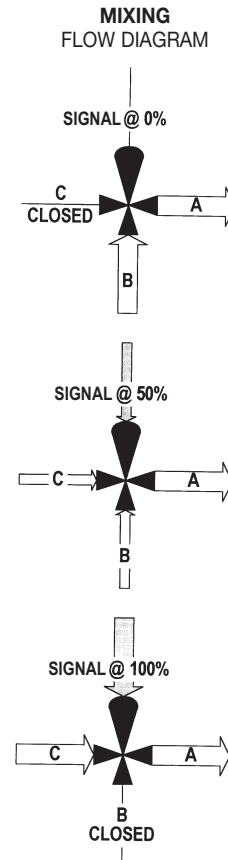
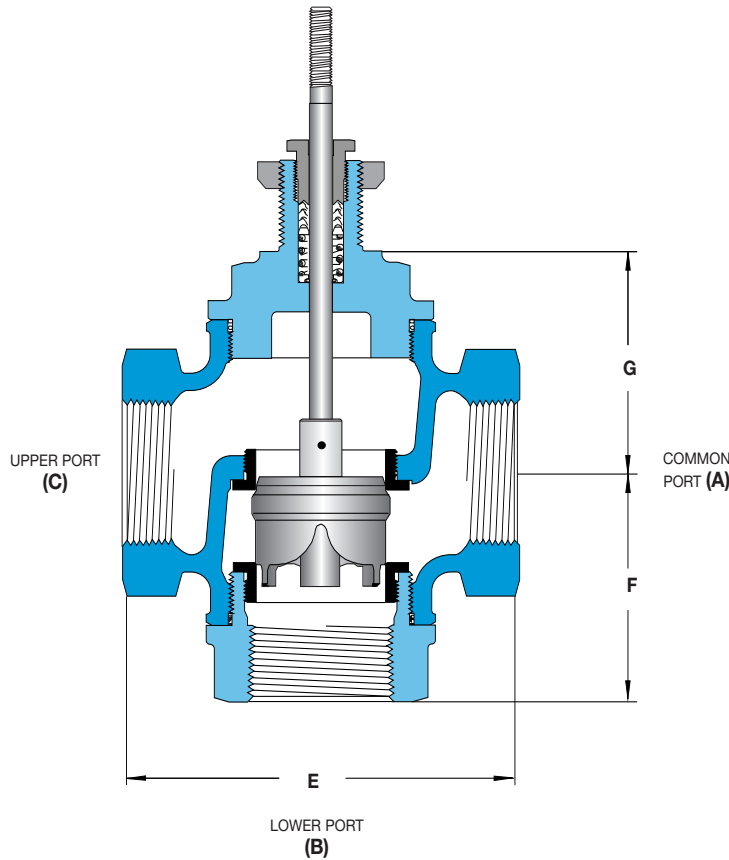
3-WAY • 1/2" - 2"

STAINLESS STEEL

All dimensions are nominal. Dimensions in [] are in millimeters.

CONTROL VALVES

Mixing



Trerice 3-Way Valves are not designed for use in steam applications.

To properly control the mixing of two flows, inlet pressures at ports B and C should be as equal as possible.

Specifications

Action	Body Material	Trim Material	Trim Style	Connection	Pressure & Temperature Rating
Mixing	Stainless steel	Stainless steel	Linear	Threaded	515 PSI @ 400°F (204°C)

Valve Body Selection

Mixing				Maximum Close-Off Pressure (psid)			Dimensions			Approximate Shipping Wt.
Valve Body Number	Size		C _v	Linkage		E	F	G		
	Connection (NPT)	Nominal Port		30	52					
M18	1/2	1/2"	6.3	179	x	5.0 [127]	2.9 [74]	2.9 [74]	7.5 lbs [3.41 kg]	
M25	3/4	3/4"	8.2	179	x	5.0 [127]	2.9 [74]	2.9 [74]	7.5 lbs [3.41 kg]	
M34	1	1"	10	179	x	5.0 [127]	2.9 [74]	2.9 [74]	7.5 lbs [3.18 kg]	
M56	1 1/2	1 1/2"	20	66	199	6.1 [155]	3.4 [86]	3.5 [89]	15.0 lbs [6.82 kg]	
M67	2	2"	40	33	116	6.5 [165]	3.8 [97]	3.8 [97]	18.5 lbs [8.41 kg]	