

Valve Body Selection

(for 940E Series Electric Motor Control Valve)

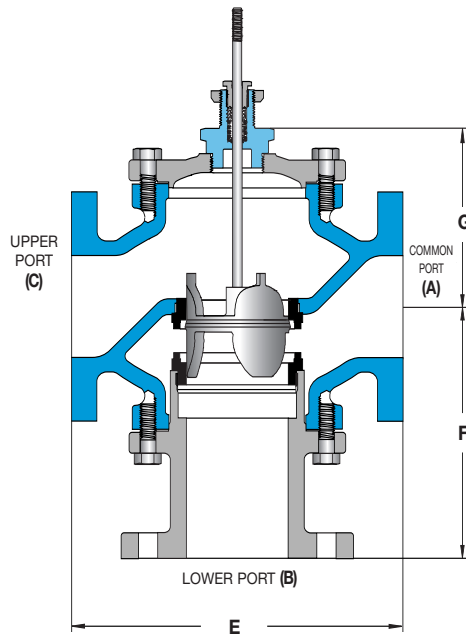
CAST IRON

3-WAY • 2 1/2" – 6"

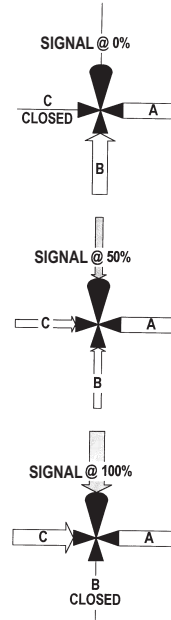
All dimensions are nominal. Dimensions in [] are in millimeters.

CONTROL VALVES

Mixing



MIXING FLOW DIAGRAM



Size	Class 125			Class 250		
	E	F	G	E	F	G
2 1/2"	9.0 [229]	7.1 [180]	5.5 [140]	9.6 [244]	7.4 [188]	5.5 [140]
3"	10.0 [254]	8.0 [203]	6.1 [155]	10.8 [274]	8.4 [213]	6.1 [155]
4"	13.0 [330]	9.9 [251]	7.1 [180]	13.6 [345]	10.3 [262]	7.1 [180]
5"	15.8 [401]	9.3 [236]	6.0 [152]	16.6 [422]	10.4 [264]	6.0 [152]
6"	17.8 [452]	9.9 [251]	6.8 [173]	18.6 [472]	11.0 [279]	6.8 [173]

Trerice 3-Way Valves are not designed for use in steam applications.

To properly control the mixing of two flows, inlet pressures at ports B and C should be as equal as possible.

Specifications

Body Material	Trim Material	Trim Style	Connection	Pressure & Temperature Rating
Cast-iron	Stainless steel	Linear	Class 125 flanged Class 250 flanged	125 PSI @ 350°F (176°C) 250 PSI @ 400°F (204°C)

Valve Body Selection

Valve Body Number		Size	Cv	Maximum Close-Off Pressure (psid)		Approximate* Shipping Wt.
Class 125	Class 250			30	52	
P75	Q75	2 1/2"	65	x	95	62 lbs [30 kg]
P80	Q80	3"	85	x	64	80 lbs [36 kg]
P85	Q85	4"	190	x	17	140 lbs [64 kg]
P90	Q90	5"	240	x	9	157 lbs [71 kg]
P95	Q95	6"	305	x	5	203 lbs [92 kg]

*Shipping weights shown are for class 125 valves. Consult factory for class 250 valve weights.

CAST IRON

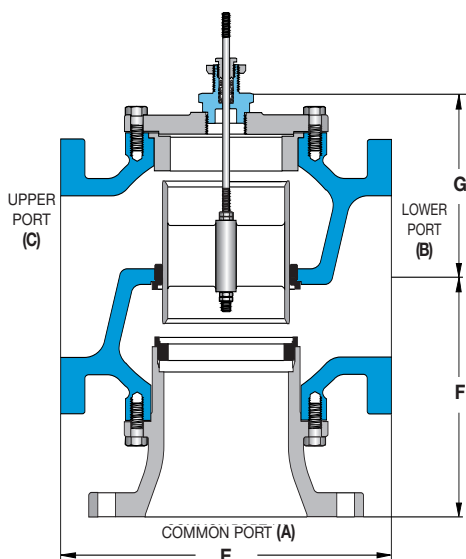
Valve Body Selection

(for 940E Series Electric Motor Control Valve)

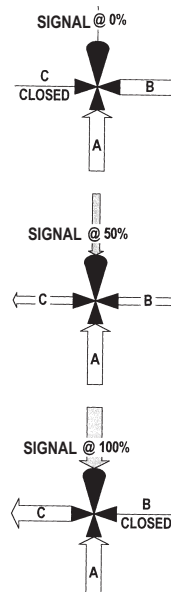
All dimensions are nominal. Dimensions in [] are in millimeters.

3-WAY • 2 1/2" – 5"

Diverting



DIVERTING FLOW DIAGRAM



CONTROL VALVES

Size	Class 125			Class 250		
	E	F	G	E	F	G
2 1/2"	9.0 [229]	7.1 [180]	5.5 [140]	9.6 [244]	7.4 [188]	5.5 [140]
3"	10.0 [254]	8.0 [203]	6.1 [155]	10.8 [274]	8.4 [213]	6.1 [155]
4"	13.0 [330]	9.9 [251]	7.1 [180]	13.6 [345]	10.3 [262]	7.1 [180]
5"	12.0 [305]	10.5 [267]	7.5 [191]	12.9 [328]	11.0 [279]	7.5 [191]

Trerice 3-Way Valves are not designed for use in steam applications.

Specifications

Body Material	Trim Material	Trim Style	Connection	Pressure & Temperature Rating
Cast-iron	Bronze	Linear	Class 125 flanged Class 250 flanged	125 PSI @ 300°F (149°C) 250 PSI @ 300°F (149°C)

Valve Body Selection

Valve Body Number		Size	Cv	Maximum Close-Off Pressure (psid)		Approximate* Shipping Wt.
Class 125	Class 250			Linkage		
K75	L75	2 1/2"	68	30	52	62 lbs [30 kg]
K80	L80	3"	85	125	x	80 lbs [36 kg]
K85	L85	4"	160	x	125	140 lbs [64 kg]
K90	L90	5"	195	x	125	157 lbs [71 kg]

*Shipping weights shown are for class 125 valves. Consult factory for class 250 valve weights.